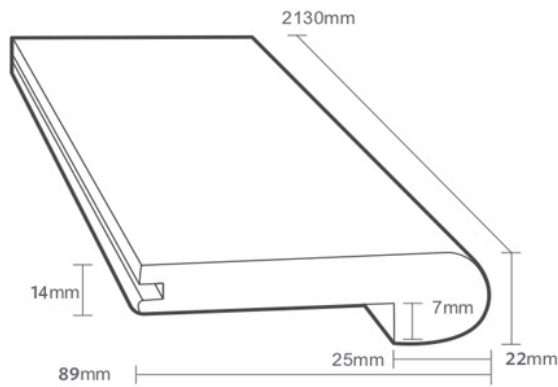


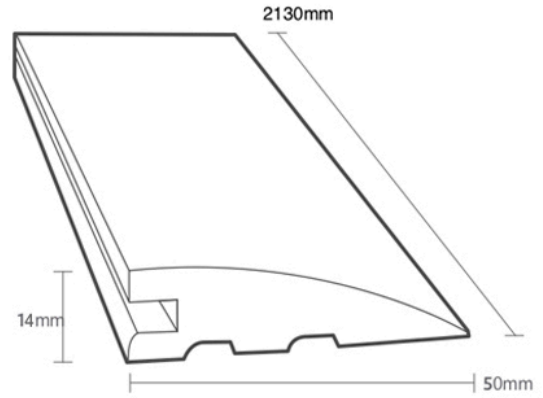
COMPASS MATERIALS INC.

Hardwood Molding Specifications



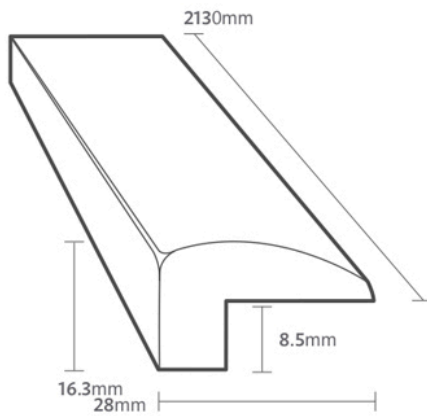
Stainose

Thickness:14mm Width:89mm LENGTH: 2438mm



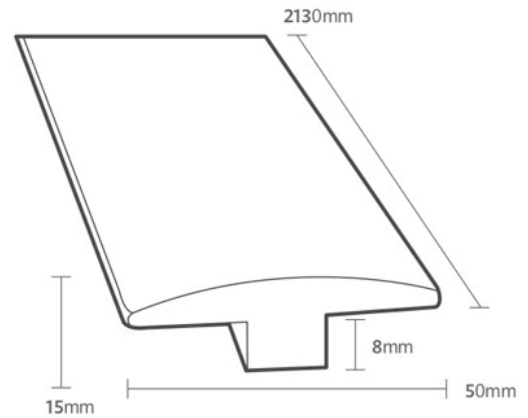
Reducer

Thickness: 14mm Width: 50mm LENGTH: 2130mm



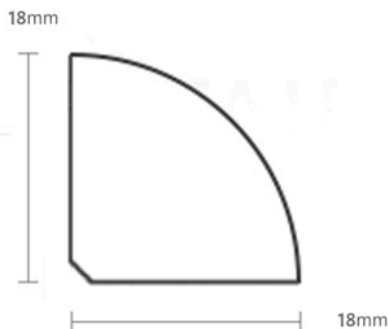
Baby Threshold

Thickness: 16.3mm Width: 28mm LENGTH: 2130mm



T-Mold

Thickness:15mm Width:50mm LENGTH: 2130mm



Quarter Round

LENGTH: 2130mm



Passion for better flooring!